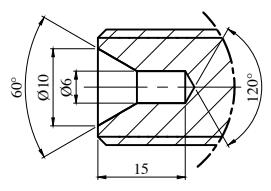
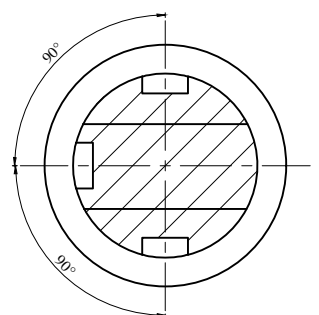


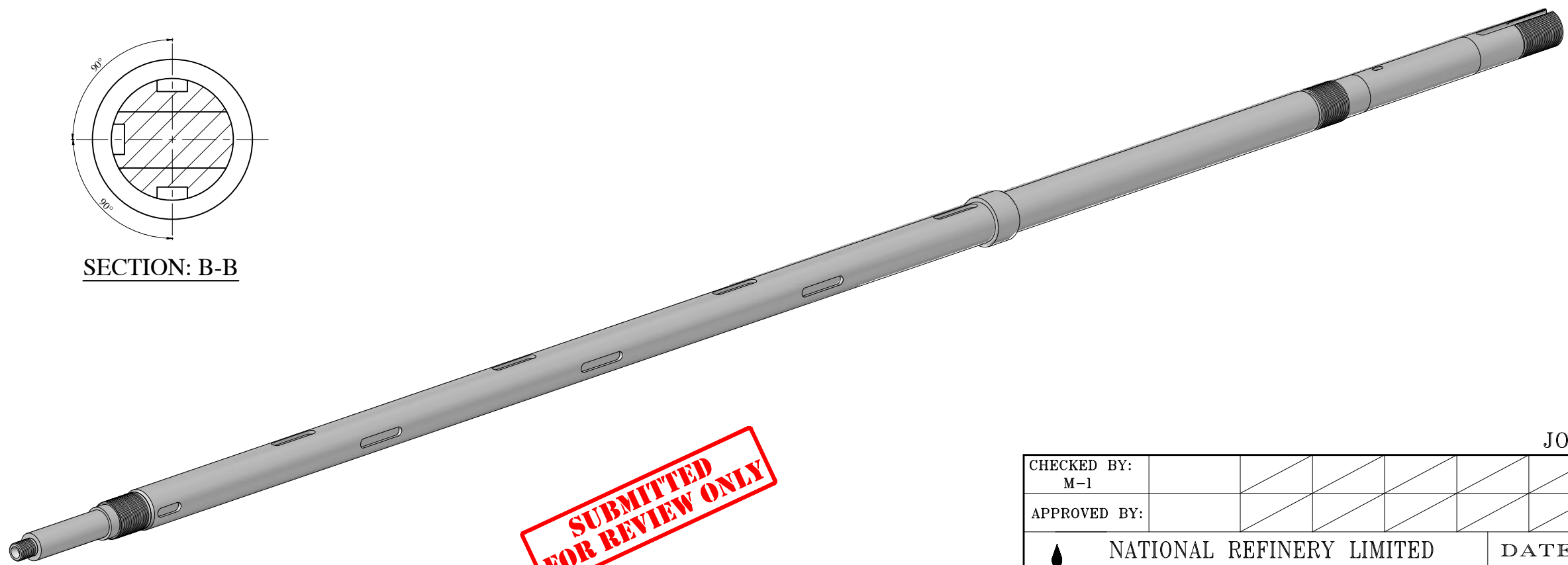
SECTION: A-A



DETAIL - "X"
BOTH SIDE



SECTION: B-B



SUBMITTED FOR REVIEW ONLY

NOTES:-

1. ALL DIMENSIONS ARE IN MM UNLESS OTHER WISE MENTIONED.
 2. NO SHARP EDGE 0.5x45°
- SURFACE FINISH: $\nabla\nabla(\nabla\nabla)$

1	01	ø50 x 2120.5	DRIVE SHAFT	SS-420
ITEM.NO.	QTY.	SIZE	DESCRIPTION	MATERIAL

DEVIATION FOR UNTOLERANCE DIMENSIONS				
UP TO 6	> 6 TO 30	>30 TO 120	>120 TO 315	>315 TO 1000
±0.1	±0.2	±0.3	±0.5	±0.8

JOB NO.57/2022	
CHECKED BY: M-1	
APPROVED BY:	
NATIONAL REFINERY LIMITED P.O.BOX 4567 KARACHI-2 P.O.BOX 3864 KARACHI-4 PAKISTAN	DATE: 24/11
	REV. : "0"
DESC.	Dwg. No. 102-01R-A3-2022
SHAFT DRIVE FOR (102-P1A).	SCALE N.T.S.
REF. 102-AREA	NRL-FAF-ENG-011
DRAWN BY: MUDASSIR KHAN	CHECKED BY: