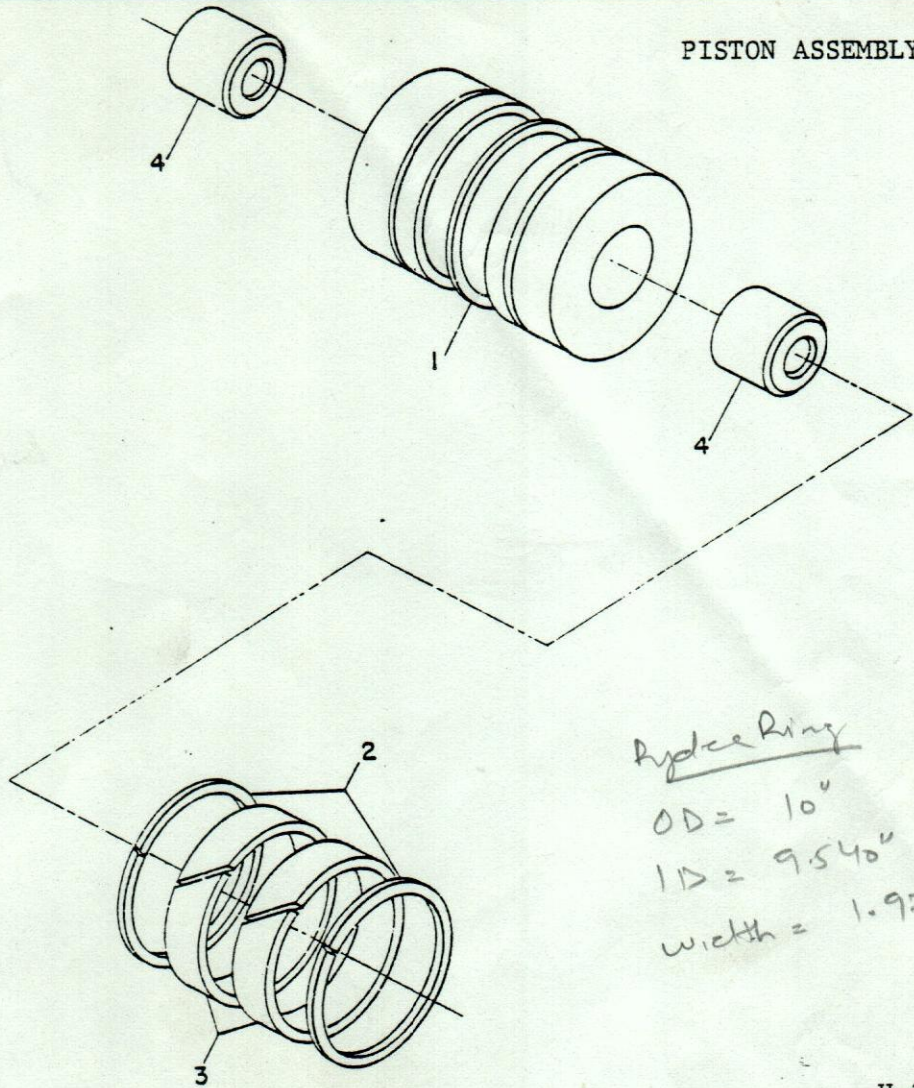


PARTS LIST



PISTON ASSEMBLY



H-38110

34463323

MLH38110G33

ILLUS. NUMBER	CORPORATE COMMUNICATION NUMBER	PART NUMBER	PART NAME	UNITS PER ASSEMBLY	SPARES USAGE CODE
1	34453753	H39745P20 → Superseded part •1H39745P20	✓ PISTON 10.00	1	M
2	95570453	•50A18BA822 (6) ... 132	✓ RING 10.00 PISTON(4) ... 032	2	ROCEM
3	37183589	•12780D1T38 (6) ... 131	✓ RING 10.00 RIDER(2) ... 031	2	ROCEM
4	37708138	•917381	✓ COLLAR	2	M