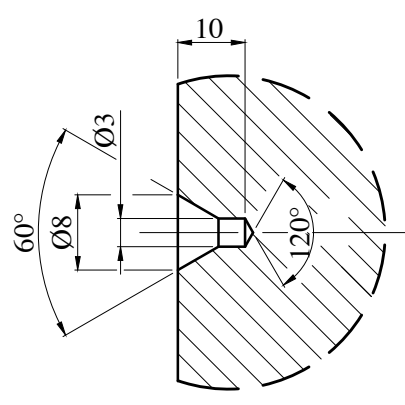
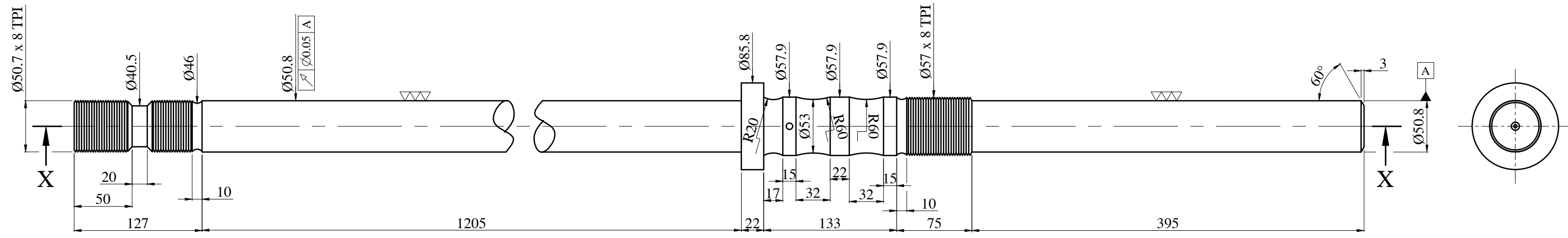
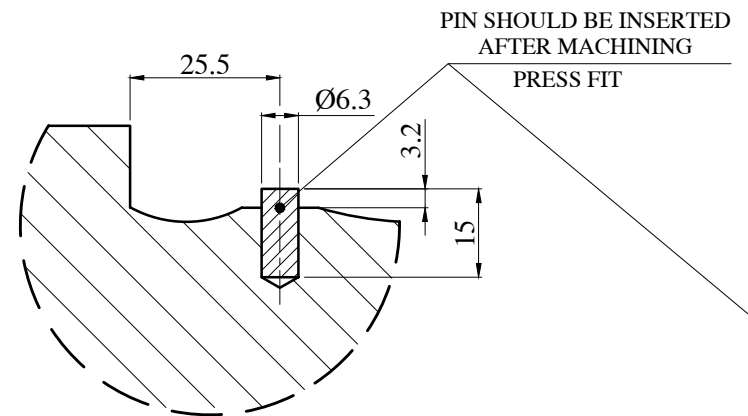


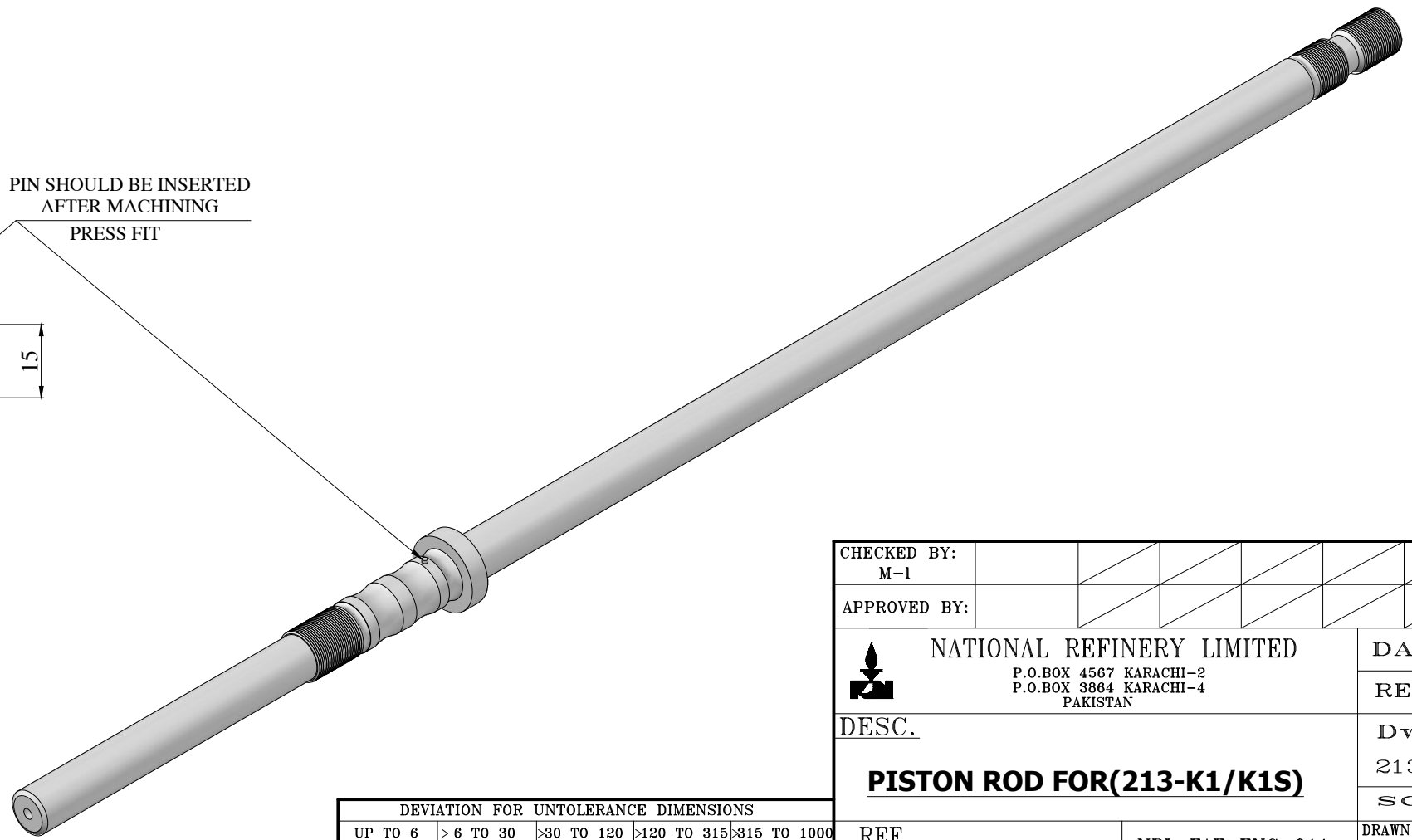
SECTION: X-X



DETAIL-"Y"



DETAIL-"Z"




NOTES:-

1. ALL DIMENSIONS ARE IN MM UNLESS OTHER WISE MENTIONED.
2. NO SHARP EDGE $0.5 \times 45^\circ$
3. SURFACE FINISH: $\nabla \nabla (\nabla \nabla)$

ITEM.NO.	QTY.	SIZE	DESCRIPTION	MATERIAL
1	01	$\text{Ø}85.8 \times 1950$	PISTON ROD	

DEVIATION FOR UNTOLERANCE DIMENSIONS				
UP TO 6	> 6 TO 30	> 30 TO 120	> 120 TO 315	> 315 TO 1000
± 0.1	± 0.2	± 0.3	± 0.5	± 0.8

JOB NO.09/2022

CHECKED BY: M-1									
APPROVED BY:									
 NATIONAL REFINERY LIMITED P.O.BOX 4567 KARACHI-2 P.O.BOX 3864 KARACHI-4 PAKISTAN							DATE: 29/3		
DESC. PISTON ROD FOR(213-K1/K1S)							REV. : "0"		
REF. 213-AREA							NRL-FAF-ENG-011	Dwg. No. 213-01R-A3-2022	
							SCALE N.T.S.		
							DRAWN BY: MUDASSIR KHAN	CHECKED BY:	